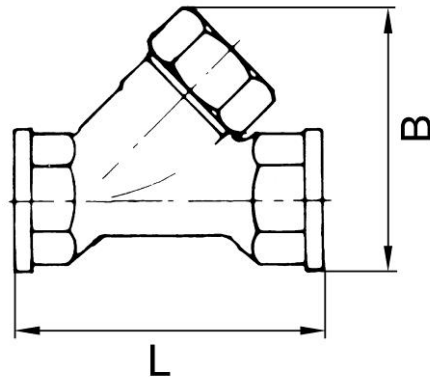


Angle-seat type, stainless steel

Body and valve trim:	Stainless steel 1.4401/1.4408
Sealant:	FKM
Opening pressure:	Min. 0.2 bar
Working pressure:	Max. 40.0 bar
Medium temperature:	-10 °C to 230 °C
Ambient temperature:	-10 °C to 230 °C
Operating temperature:	-10 °C to 230 °C
Thread:	G thread acc. to DIN EN ISO 228-1



220.05-ES



Unidirectional valves

Art. No.	Type No.	Thread	a/f	B	L	No. of set of wearing parts
103832	220.01-ES	G 1/4	27	53.5	66.0	22.2235.4
103833	220.02-ES	G 3/8	27	53.5	66.0	22.2235.4
103834	220.03-ES	G 1/2	27	53.5	66.0	22.2235.4
103835	220.04-ES	G 3/4	32	68.0	76.0	22.2245.4
103836	220.05-ES	G 1	40	82.0	90.0	22.2255.4
103837	220.06-ES	G 1 1/4	50	97.0	110.0	22.2265.4
103838	220.07-ES	G 1 1/2	55	113.0	121.0	22.2275.4
103839	220.08-ES	G 2	70	131.0	151.0	22.2285.4

Strainer for check valves

Art. No.	Type No.	Thread	Mesh size	Suitable for check valve Art. No.
103859	SKR-38	G 3/8	1	103833
103860	SKR-12	G 1/2	1	103834
103861	SKR-34	G 3/4	1	103835
103862	SKR-1	G 1	1	103836
103863	SKR-114	G 1 1/4	1	103837
103864	SKR-112	G 1 1/2	1	103838
103865	SKR-2	G 2	1	103839

Exemplary illustration

